



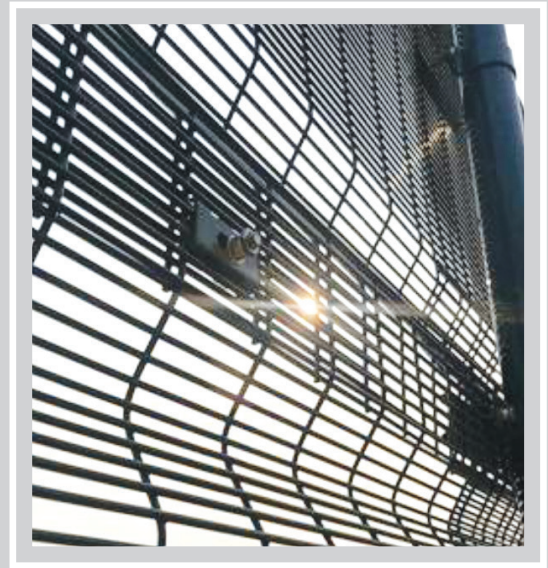
WELDED MESH

PRODUCT CATALOGUE

HOLDING
TOGETHER
THINGS
THAT
MATTER



WELD-MESH PANEL FENCING



Anti-Climb / Anti-cut Fence

An anti-climb/Anti-cut fence is a type of fencing that makes it difficult to gain access to a property or grounds by climbing. Anti climb fencing is used extensively by businesses and commercial organizations. Typically, it is used around storage yards and depots where valuable stock might be held.

Technical Specifications:

Anti cut /anti climb welded mesh panels conforming to EN10223 – 7 standards.

Mesh panels of multiple dimensions are available.

Anti – climbing: more small openings, no toe or finger holds.

Anti – cut: small openings make cutting very difficult by bolt cutters and wire cutters.

Anti – rust : Durable zinc or polymer powder coating ensure a long service life.



Roll Top Fence

Welded Mesh Panel(50x200) makes the best fencing solution for residential fencing, school perimeter fencing & commercial complex fencing.

Technical Specification:

Wire Dia-5mm

Mesh gap-50x200

Height - 6m

Width - 3m

Generally used in Residential Complex, school etc.

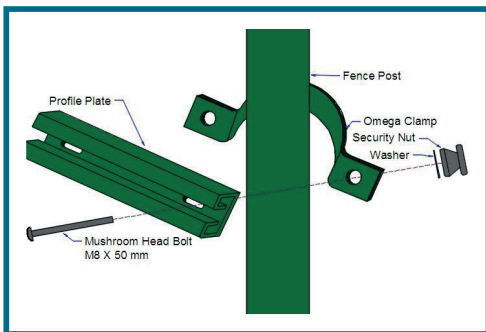
Razor Blade Tape & Barbed Wire

Our company manufactures superior quality of punched tape concertina coils and G.I. Barbed Wire catering to different industrial needs. These wires are actually wire with series of dangerously pointed pins or sharp tapes on it. This type of fencing is extremely difficult to cross, since they cut and tear anything falling on them.



Fencing Accessories

We provide all accessories for installation of fencing including Y-arm, Posts, Nuts and bolts. Our products also come in pre-galvanized, post-galvanized and powder coated types.



Polymer Fence

Polymer fences are manufactured from virgin HDPE and additives under carefully controlled extrusion technology. The main advantages of Polymer Fence is:

It is lighter than metal meshes of same wire diameter and aperture size, UV- stabilized , durable- anti corrosive and rust free, Easy to install- handling, Non reactive and weather resistant.

Application:

- Agricultural fencing
- Residential use
- Landscapes
- Sports complex
- Resorts



Chain Link

Our galvanized/PVC coated chain-link fence can be fenced directly or can be fixed with angle frames. Chain-link fencing is an interlock fence used for providing barricades of parks, green belts, airports, powder-houses etc.. Our Chain-link fencing also conforms to IS:2721:2003 specifications. Galvanized Chain-link fence that we offer is perfect for protecting boundaries from trespassing & intrusion.

Chain Link Fence Accessories



Tension Band

Tension bands are used to secure GI Chain-link fence with the tension bar or gate frame.

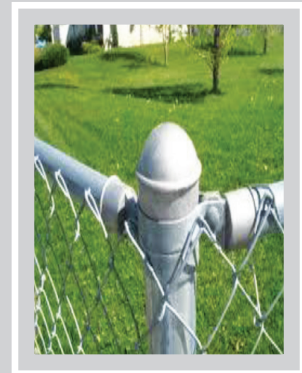
Tension Band



Brace Band

Chain link fence brace bands are used to attach fence to horizontal rails, bottom tension wire and barbed wire to terminal posts.

Brace Band



Post Cap

Cover the top of fence posts and also protect the top of the fence post from rain water.

Heavy Post Cap



Line Post Cap

Line post caps have 2 utilities. It saves the fence post from weather and allows the top rail or tension wire through it. It is available in aluminum and galvanized steel

Line Post Cap



Top Rail Sleeve

Top rail sleeves ensures the durability and longevity of the fence. It is also used to repair bents without having to repair the entire rail.

Top Rail Fence Sleeve



Rail End

These rail end cups attach to the rail and terminal post aligned with the brace band for a secure connection of the rail and post.

Rail End (Steel)



Y-Arms 45 °

Barbed Wire Arm

Barbed wire arms are an essential piece to install boundary protection for a chain-link fence. It is designed to fit like a post cap, while the top rail sides through the opening and 3 to 6 lines of barbed wire can be attached to the arm as one unit



Brace Or Rail End Clamp

Brace or Rail End Clamp

Chain-link fence and clamps are used 'Sandwich' the bottom /mid rail with the fence to get added strength.

Truss Rod



Truss Rod

The truss, installed from the bottom of the terminal post to the mid section of the first line post, pulls the mid brace towards the terminal post; in doing so, it counteracts the pull from the stretch on chain link fence fabric.



Tension Bar(GI)

Tension Bar(GI)

Tension bars are used vertically to fix the chain-link fence with the terminal or straining post. They can also be used with gate posts



Bullet Post Cap



One Way Bullet Post Cap



Y-Arms Upright



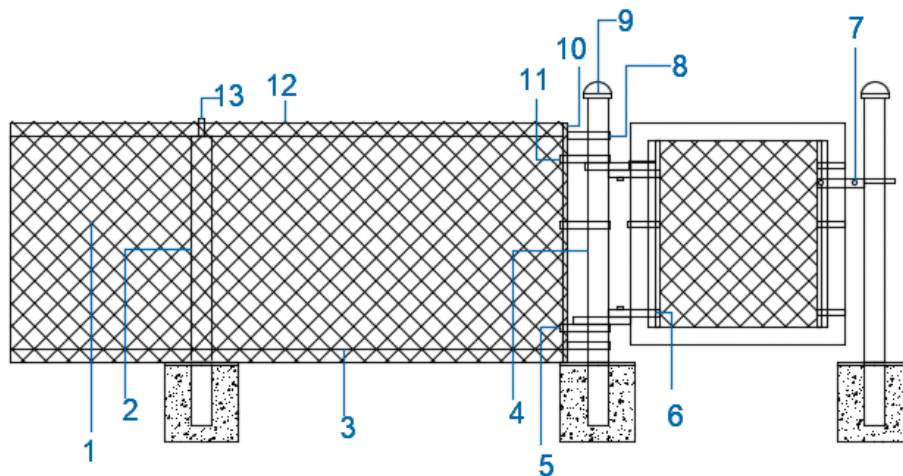
Combo Rail End(Steel)



Truss Tighteners

and more...

Chain Link Fence and Gate - Part list



1	Chain-link Fence
2	Line Post
3	Tension Wire
4	Terminal Post
5	Gate post hinge

6	Gate frame hinge
7	Gate fork latch
8	Rail end band
9	Terminal Post cap
10	Tension Bar

11	Tension band
12	Top Rail

Powder Coating Solutions / Services

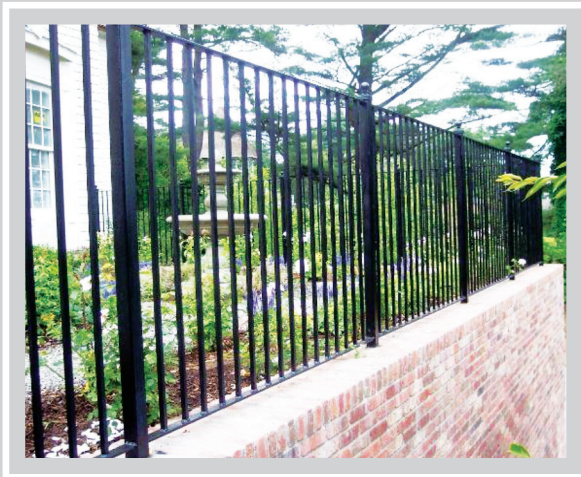


Being a border fence manufacturer, we have developed two state of the art units for thermosetting and thermoplastic powder coating process.

If one is looking for a durable and decorative solution in coating, powder coating is one of the best technologies available right now. The thermosetting or thermoplastic resins form a constant and durable coat over the metal surface due to which the life of the product increases manifold.

One of the best features of the powder coating is that one can use multiple colors, shades and gloss depending on requirement.

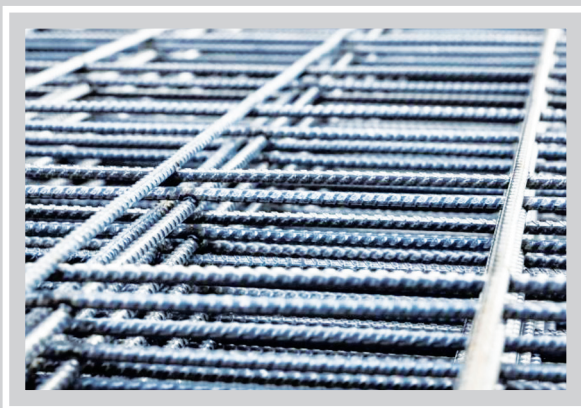
Metal Fence



We manufacture metal fencing for residential and commercial applications. Our metal fencing range includes decorative metal railings, vertical bar railings, wall railings, and welded mesh panels, with options for retail and commercial properties, schools, transport, utilities, data center, and high security sites. We provide metal fencing in hot dip galvanized or powder coated finish.

Application:

- School
- Transport
- Data Center
- High Security sites
- Utilities



Reinforcement Mesh

We are the leading manufacturer of reinforcement mesh which are used for commercial application. It is predominantly used as reinforcing fabric in concrete slabs, being immersed in concrete and vastly increasing the structural rigidity of a construction.

We strictly follow ASTM A185.

Technical Specifications

MOC- plain bars and ribbed (Plain Bar/Ribbed bar)

Mesh Panel size upto 3meterX6meter

Wire Diameter – upto 10mm

Coating- Post galvanized/Powder coated

Main Application Areas:

Tunnels And Bridges Construction

Road Bed Construction



Other Applications:

- Concrete pavement.
- Airport runway.
- Floor Slabs/Non shear walls
- Pre Fab Structure

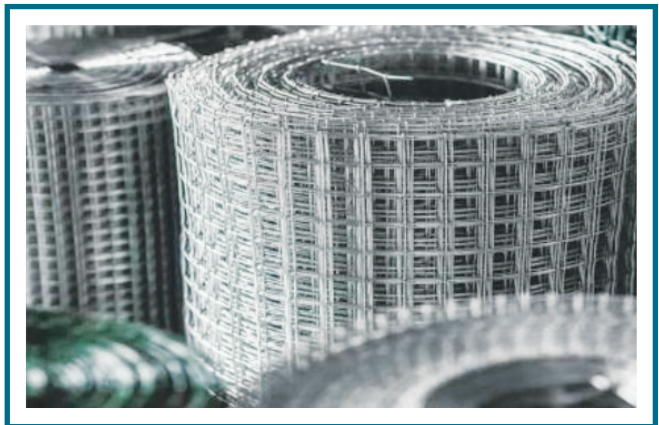


GI/MS Welded-mesh Fence

The welded wire mesh is a metal wire screen that is made up of MS, GI or SS wire.

It is available in various sizes and shapes.

It is widely used in agricultural, industrial, transportation, horticultural and food procuring sectors. It is also used in mines, gardening, machine protection and other decorations.

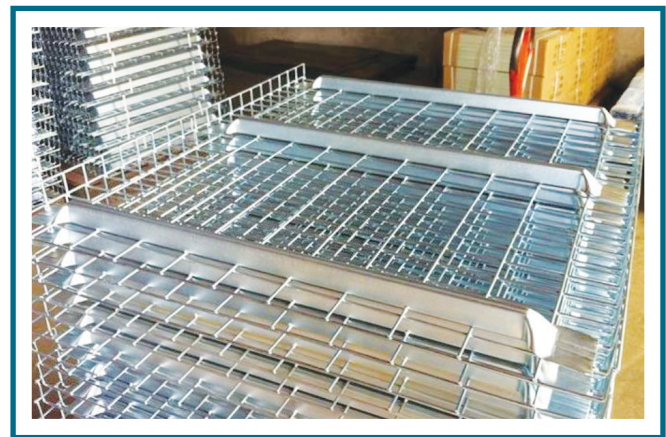


Wire Mesh Deck Panel

We are manufacturer of wire mesh deck panels. Our wire mesh deck panel is an excellent alternative to wood and corrugated steel decks. It increases fire safety in your facility by allowing flow-through from sprinkler water systems. There is no dust or debris build-up on the shelves because of the open mesh pattern thereby providing a cleaner work environment. Wire decking also provides a better visual of your inventory and helps illumination, air circulation and cooling of your facility. They are maintenance free, easy to install and constructed of durable strong wire mesh.

Application:

- Warehouse
- Airport
- Pharma Industry



About Us

We are registered with NSIC and our products conform to the relevant Indian Standard codes. All the products mentioned are manufactured at our production facilities situated in Kolkata & Raipur to serve our clientele with faster deliveries and lower transportation costs. In our state of the art facilities, we adhere to stringent quality measures, which has led us to manufacture unmatched quality products with minimal tolerances. We have supplied to all major infrastructure companies in India requiring welded mesh used in making Pre-fab structures, hydel power plants, mivan shuttering, tunnels, roads, bridges etc. We are keen on supplying quality products and contribute to the all around development of society by evolving using an ethical and consumer friendly approach

Mission


To be a world class leader in fencing and concrete reinforcement products. To relentlessly pursue new technologies and deliver a better engineered product every time. To consistently enhance our competitiveness, deliver profitable growth while being a socially and environmentally conscious company.


Vision

To prevent intrusion and vandalism by use of engineering and technology on a global level.



S. K. WELDEDMESH PVT. LTD.

 **Corporate Office:**
Diamond Heritage
Room No. 614, 6th Floor
16, Strand Road, Kolkata 700001
West Bengal, India.

 +91 (033) 2268 2075
+91 88008 80282

 info@skweldedmesh.com

 www.skweldedmesh.com

